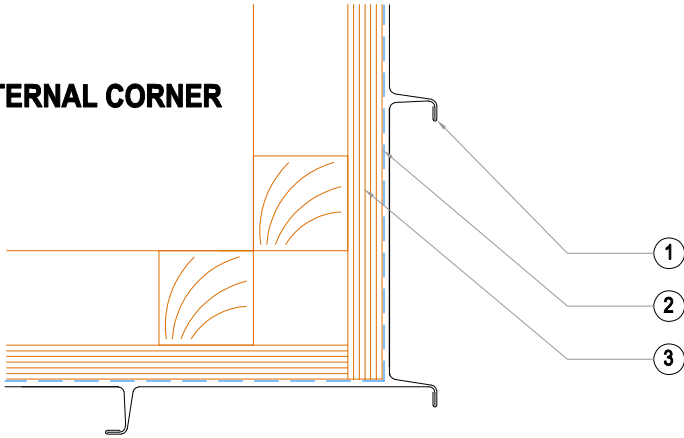
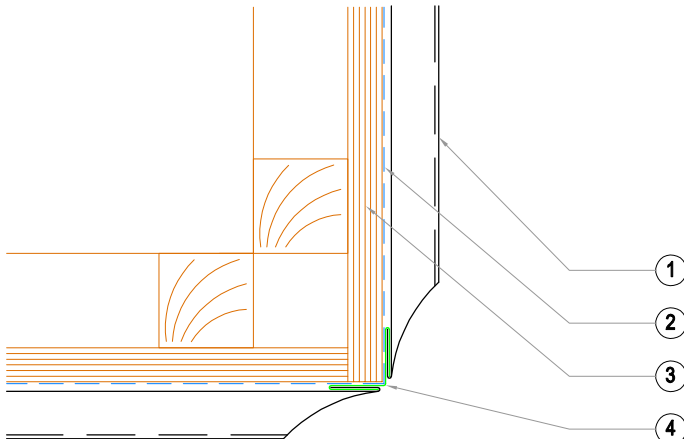
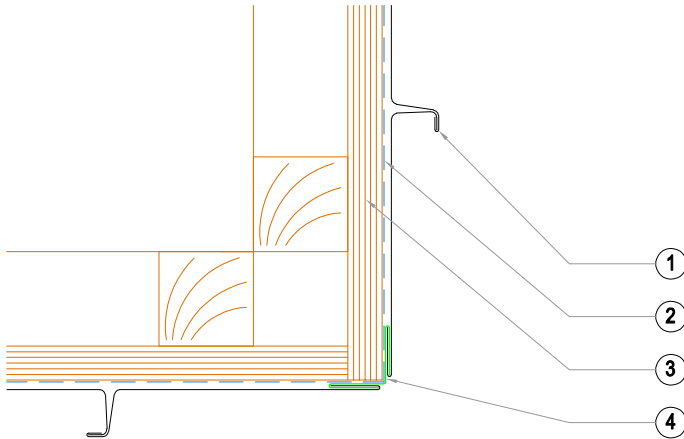
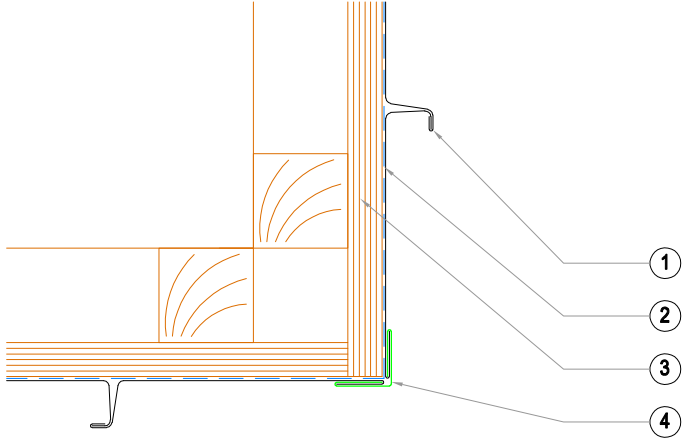


EXTERNAL CORNER



- 1. GreenCoat PLX Pro BT Vertical Angle Seam.
- 2. Breather Membrane.
- 3. 18mm WBP plywood.
- 4. External corner flashing.



- 1. GreenCoat PLX Pro BT Horizontal Angle Seam.
- 2. Breather Membrane.
- 3. 18mm WBP plywood.
- 4. External corner flashing.

