

## Fatra FF814 PVC Standing Seam Profile

### Product Description

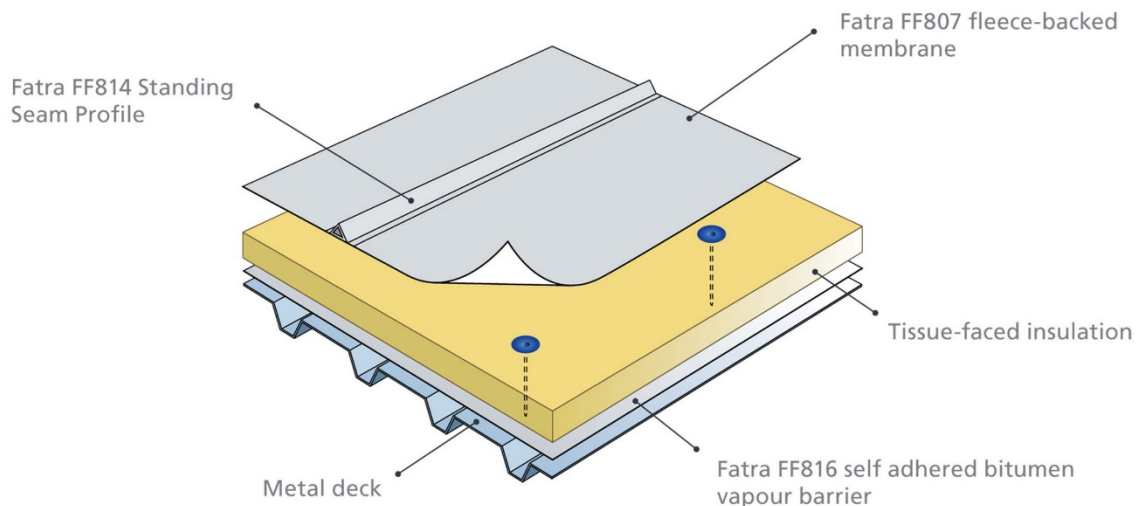
FF814 PVC Standing Seam Profiles are a triangular profile designed to be applied to membrane covered roofs to reproduce the appearance of a traditional metal roof. FF814 Profiles can be applied to both new build and refurbishment projects.

### Installation

FF814 PVC Standing Seam Profiles should be installed above Fatra FF807 adhered membrane or Fatra FF810 side-lap fixed membrane by hot air welding the profile directly onto the roofing membrane at the prescribed centres. Use a chalk line and timber former to align the profiles. Profiles should be butt jointed with a 5mm gap.



Fatra FF814 Standing Seam Profile	
Dimensions	25mm high, 32mm wide and 2m long
Attachment	Hot air welded to Fatra FF807 / FF810
Colour	Dark Grey (RAL 7012), Light Grey (RAL 7035) & Anthracite (RAL 7016)
Packing	40no. per box (80 linear metres)



Completed Projects

