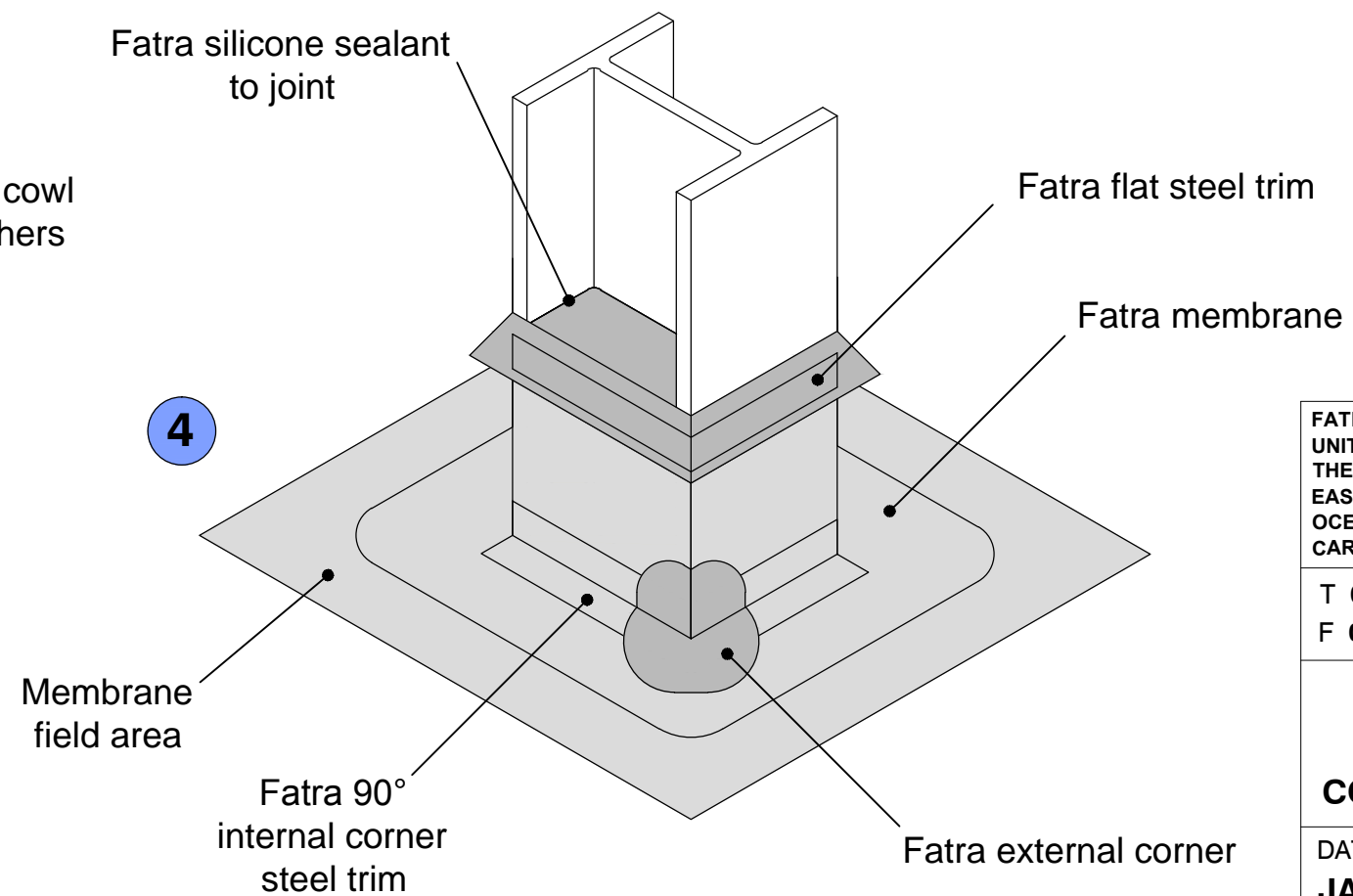
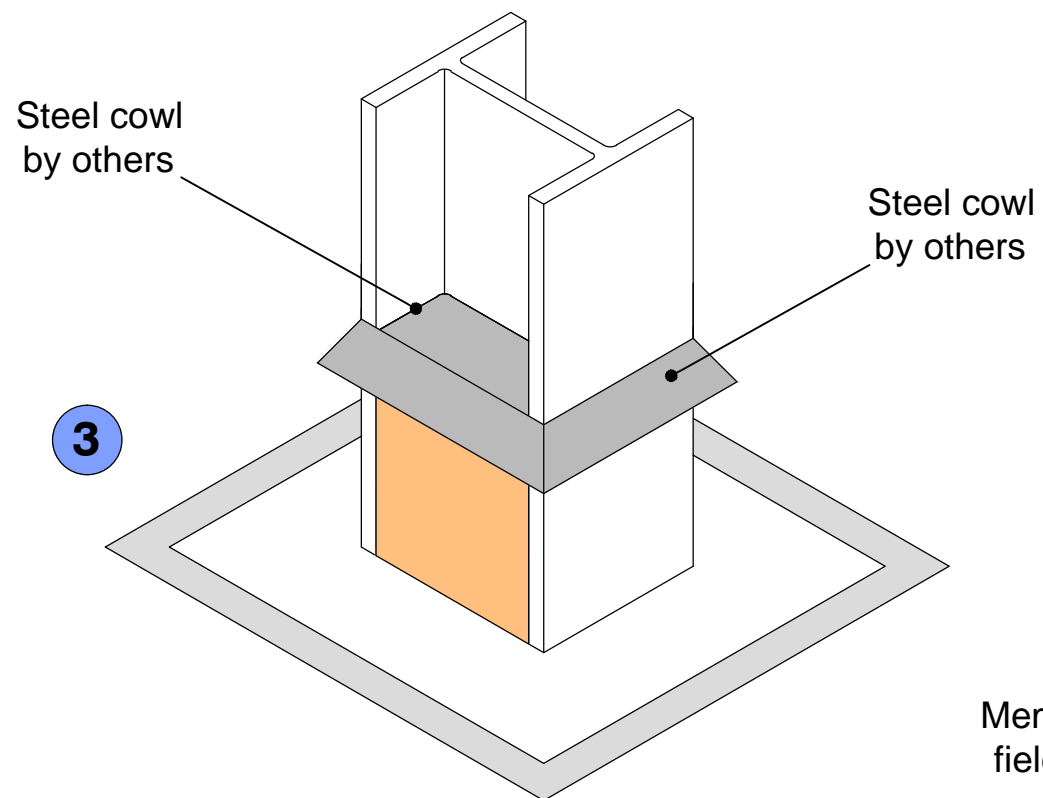
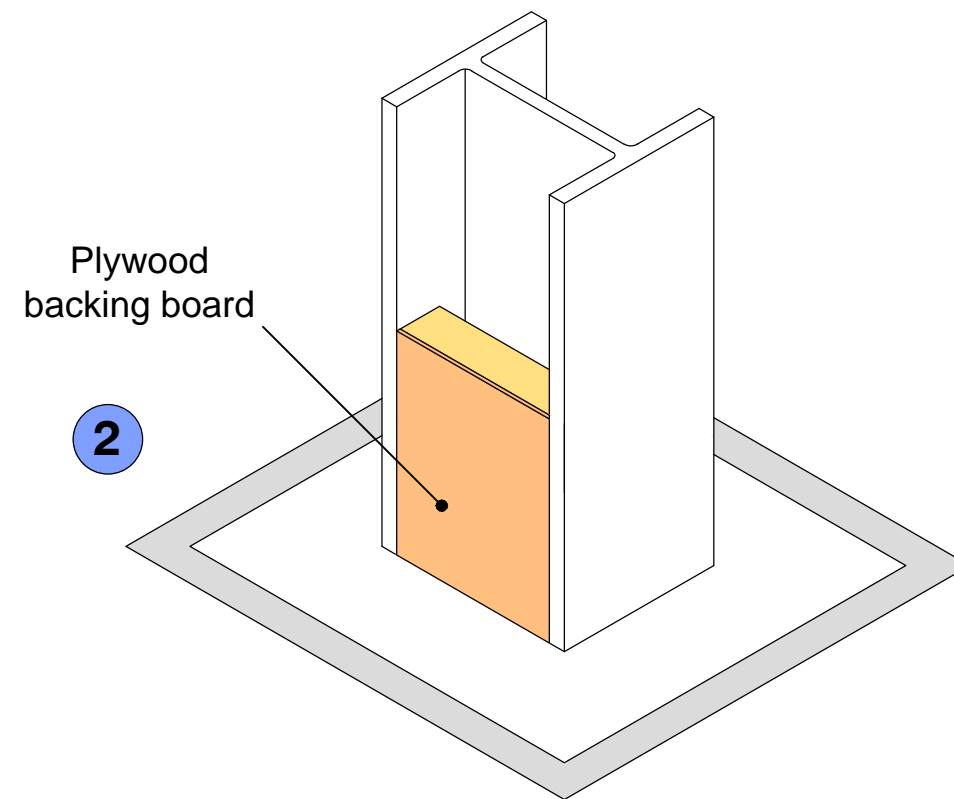
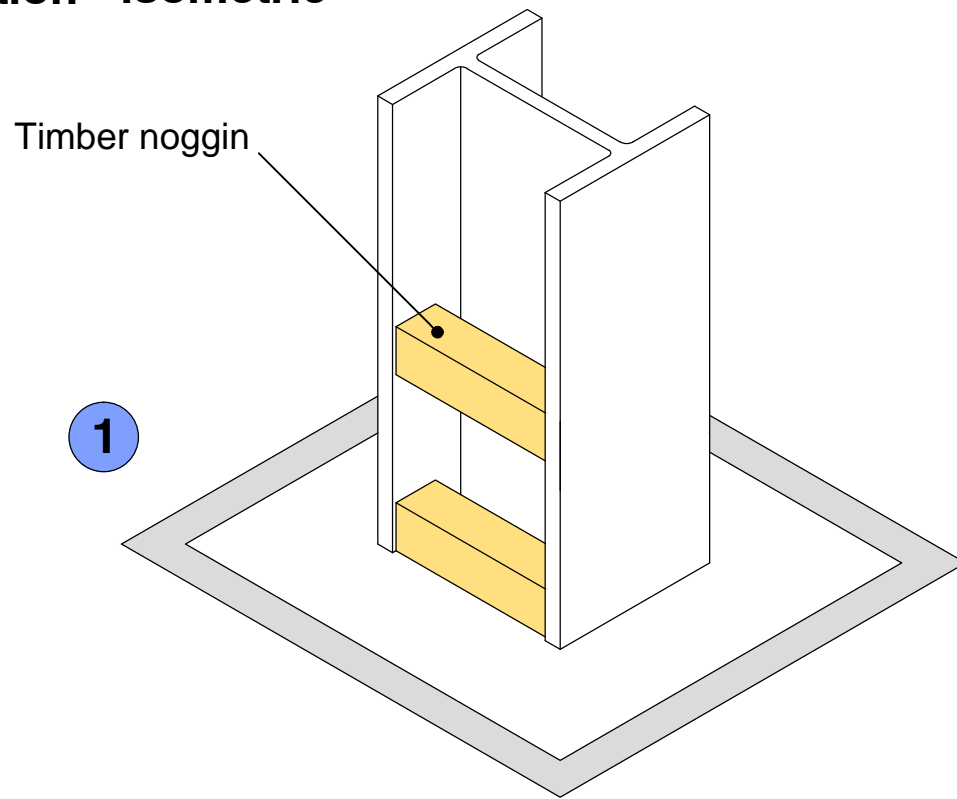


Single Ply Membrane Details

Fully adhered system

Column penetration - isometric



FATRA UK LTD.
UNIT 12
THE TIMBER YARD
EAST MOORS ROAD
OCEAN PARK
CARDIFF, CF24 5EE

T 029 2048 7954

E technical@fatra.co.uk

F 029 2048 9226

W www.fatra.co.uk

Single Ply Membrane Details
FULLY ADHERED SYSTEM
COLUMN PENETRATION ISOMETRIC

DATE:
JANUARY 2018

SCALE:
1:2 @ A3

DRAWN:
LB

DRAWING NO:
FATRA FA-33

REVISION:
-