

Single Ply Membrane Details

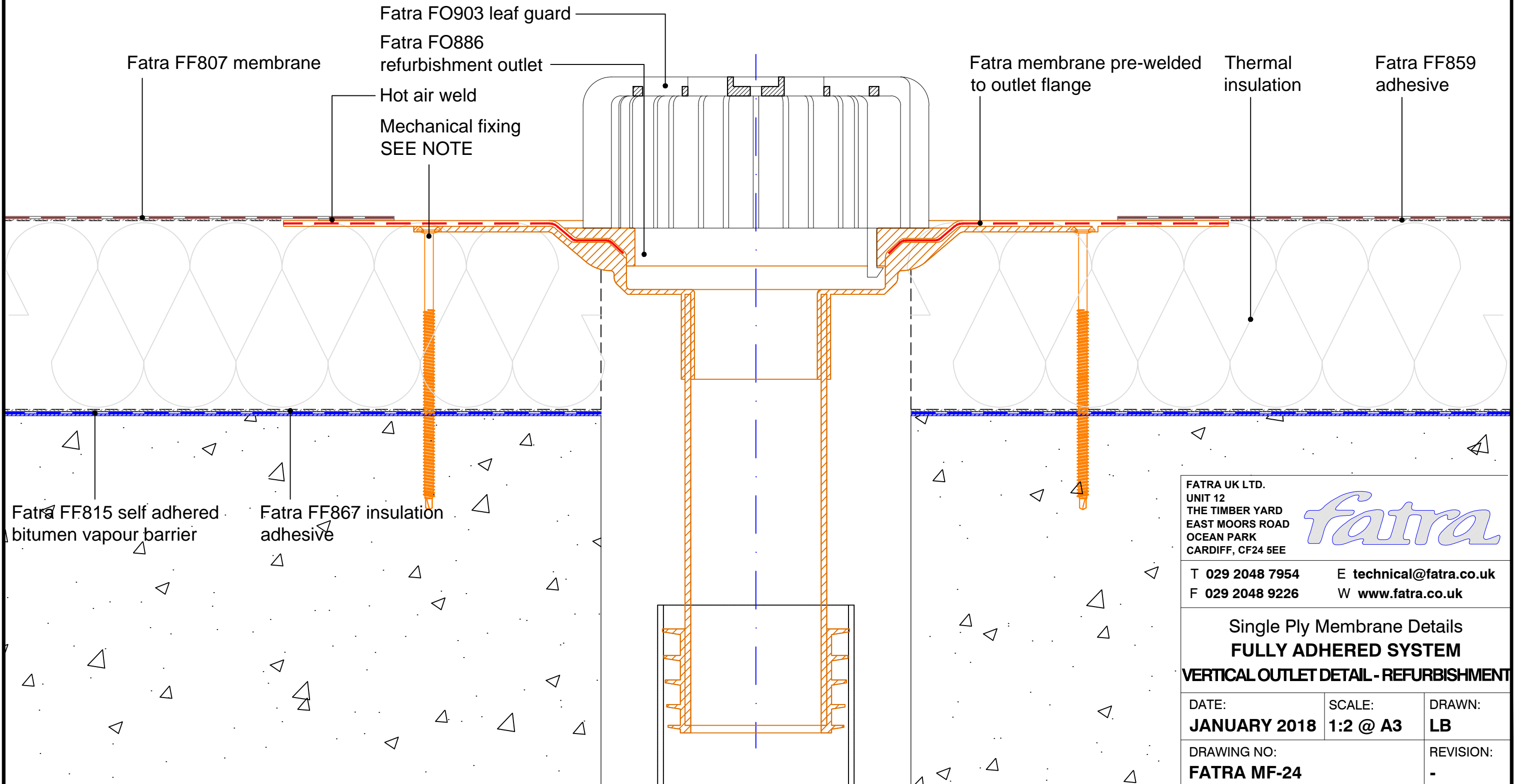
Fully adhered system

Vertical outlet detail - Refurbishment

MECHANICAL FIXINGS:-

Selection of fixings:-
 Deck - Metal/Timber/plywood
 FBS-5.8 fasteners
 Metal deck 15mm penetration to underside
 Timber deck 12mm penetration to underside

Deck - Concrete
 FHD-6.1 fasteners
 Concrete deck 25mm embedment



FATRA UK LTD.
 UNIT 12
 THE TIMBER YARD
 EAST MOORS ROAD
 OCEAN PARK
 CARDIFF, CF24 5EE



T 029 2048 7954 E technical@fatra.co.uk
 F 029 2048 9226 W www.fatra.co.uk

Single Ply Membrane Details
FULLY ADHERED SYSTEM
VERTICAL OUTLET DETAIL - REFURBISHMENT

DATE: JANUARY 2018	SCALE: 1:2 @ A3	DRAWN: LB
DRAWING NO: FATRA MF-24		REVISION: -